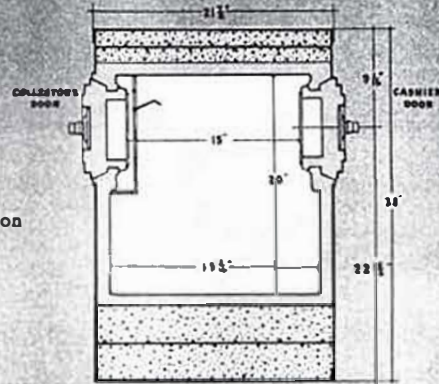
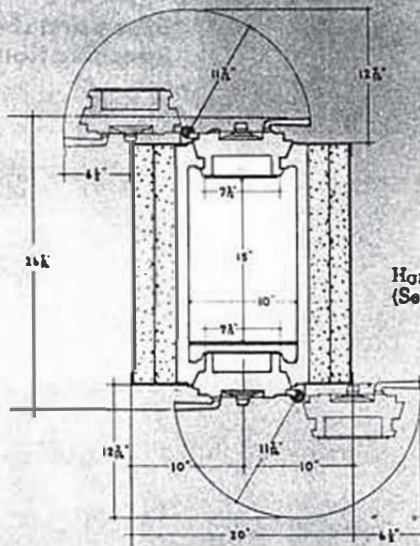




COLLECTORS' MONEY CHEST No. 2212-NH



SPECIFICATIONS

(See Drawings and Schedule.)

Insurance Rates — Class "E" Mercantile Safe Burglary; Class "H" Bank Burglary. Underwriters' Laboratories' labeled Relocking Device earns an additional 10% discount.

Construction — SAE-1020 solid steel; doors 1½" thick; body 1" thick; deposit slot partition ¼" thick. Two lug-type round doors, fitted to not more than .004" clearance, revolve to seat their lugs behind body lugs. An Automatic Double Check Feature, activated by two plunger buttons on both doors, locks open doors in true position for closing without danger of damaging lugs or locking bolts. Deposit slot in partition back of Collector's door is 1" by 5"; and is protected by an anti-fishing device. Chest is standard anchored in a steel-clad, reinforced concrete block.

Locking Mechanism — Both doors are equipped with three-tumbler, key-changing, combination locks; and Underwriters' Laboratories' labeled Relocking Devices. Locking bolts are protected by drill-resistant inserts in the body jambs. The combination locks are protected by drill-resistant plates.

Standard Finish — H.H.M Gray.

OPTIONAL SPECIFICATIONS

(See How to Order)

Finish — Flat colors, H-H-M or special grained walnut, oak or mahogany.

Miscellaneous — Removable, key-locking dials. Removable dials.

HOW TO ORDER

Use No. 2212-NH for standard Encased Chest. Specify all other options.

The Herring-Hall-Marvin Safe Company reserves the right to make substitution of materials without notice, where necessary to comply with Government Regulations.

MODEL NO.	CHEST UNIT ONLY											STANDARD ENCASED CHEST										
	Outside			Inside			Deep Clear	Dis. Clear Door Opening		Capacity Cu. In.	Body			Outside		Overall		To Centers of Doors			Door Swing Radius	Ship's Weight Pounds
	High	Wide	Deep	High	Wide	Deep		Carb. ler's	Collect. lo's		High	Wide	Deep	Add to Width for Each Door at 180°	Deep Both Doors Closed	Add to Depth for Each Door at 90°	From Top	From Bottom	From Side			
2212-NH	22"	12"	22¾"	20"	10"	19¾"	15"	7¾"	7¾"	3,700	32"	20"	21¾"	6½"	26¾"	12¾"	9¼"	22¼"	10"	11¼"	1,350	

