



Steelage
WORLD CLASS SECURITY

FIRE & BURGLAR RESISTANT SAFES
UL CLASS TL-30

Steelage BURGLARY & FIRE RESISTANT TL - 30 SAFES

SPECIAL FEATURES : The Fire and Burglar resistant TL-30 Safes have some special



unique features.

- The safe has in addition to the UL approved combination lock, an additional Dual Control Key Lock.
- All safes have a lockable drawer unit.
- The safes

are available in different sizes to suit varied needs.

- The Steelage Double Door Safes also carry the UL-TL30 rating.
- Bigger models from 1050-TL30 onwards are composite safes with four-way shooting bolts.
- Adequate protection against burglar attacks and fire is built into each safe.
- The doors of the TL-30 safes are removable.
- Glass plate is available as an optional extra.



STRINGENT TESTS : The strength and

endurance of the Steelage TL-30 Safes

were severely tested by skilled UL

technicians. Heavy duty drills, Abrasive

wheels, chisels and other common burglar

tools were utilised for this test. The Steelage

TL-30 Safes passed all the necessary tests

and the Underwriters Laboratories granted

them the TL-30 rating. Steelage TL-30 Safes

have also passed a fire and fall impact test

at the Central Building Research Institute,

Roorkee - India's premier testing institute for

fire resistant products. Paper records were

found in good condition after the safe was

subjected to fire test. The safe was removed

and then dropped from a height of 4 metres

before opening for inspection. There was no

visible damage after the drop test.



CONSTRUCTION

BODY : The entire body of the Safe is of uniform strength and constructed from tough steel plates using the most up to date steel bending techniques. It has a 20-bend construction, with rounded corners and reinforced bent flanges. The formed shell together with the back plate is electrically welded to form a one-piece body. The inner lining is made of heavier steel plates suitably reinforced and anchored to the body with an overall thickness of 65 mm. The inner lining is further strengthened with 5 mm thick Drill Resisting Armour plate.

DOOR : The overall thickness of the door is 140mm. It is made from hard barrier material and tough steel plates, reinforced with drill and sledge hammer resistant special steel, making the door slab 67 mm thick over the lock and other vital parts. The lock is further protected by drill resistant steel including 6 mm thick very special drill resisting alloy plates over the lock - making a total protection of 73 mm over the lock.



BOLTWORK : The lock case is an integral part of the door. It is built from solid flanged steel plates forming a rim on all four sides behind the solid rivets provided in the safe's body. The number of bolts in a safe vary according to the size.

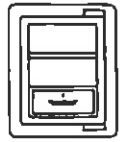


LOCKING DEVICE : The bolt throwing mechanism is activated by a lever handle and controlled by an UL approved Combination Lock as well as an additional unpickable 8-lever Dual Control Key Lock made by Steelage. These key locks are

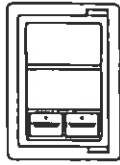
provided with separate stainless steel keys marked No. 1 and 2, each in duplicate. This makes it possible for two persons to remain in joint charge of the safe. If the combination lock is used together with the



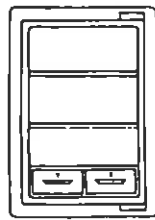
key lock, three persons can be in joint charge.



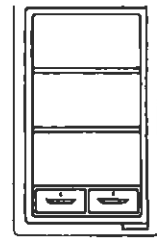
675 TL-30



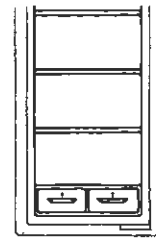
800 TL-30



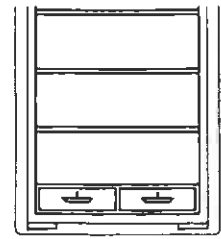
1050/L TL-30



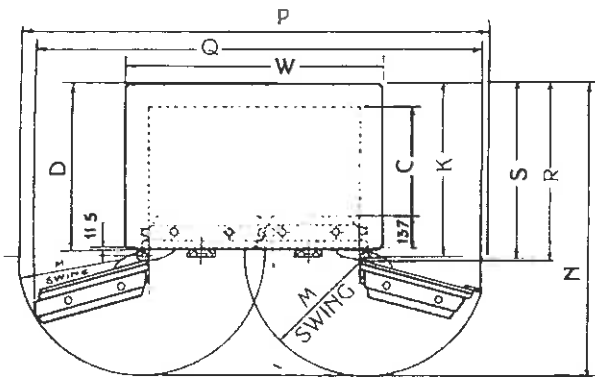
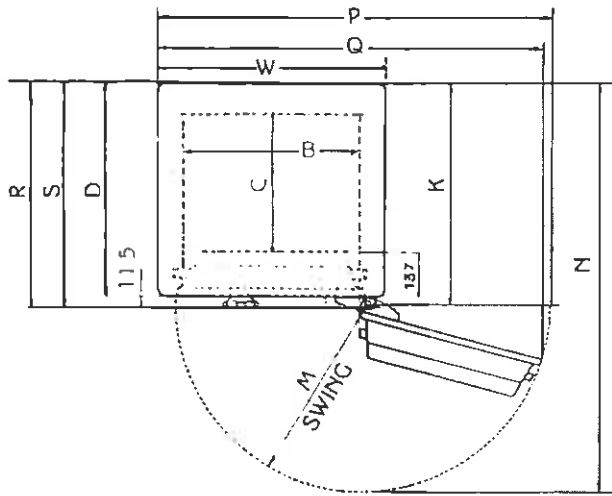
1225 TL-30



1525 TL-30



1525 DD TL-30



DIMENSIONS & WEIGHTS

Technical Data

Model	675 TL-30	800 TL-30		1050/L TL-30	1225 TL-30	1525 TL-30	1525 DD TL-30
-------	-----------	-----------	--	--------------	------------	------------	---------------

OUTSIDE DIMENSIONS (mm/in)

Height H	675 26½"	800 31½"		1050 41¼"	1225 48¼"	1525 60"	1525 60"
Width W	550 21½"	600 23¾"		750 29½"	750 29½"	750 29½"	1050 41¼"
Depth D	550 21½"	600 23¾"		700 27½"	700 27½"	700 27½"	700 27½"
Depth Over Hinge R	585 23"	635 25"		735 29"	735 29"	735 29"	735 29"
Depth Over Handle S	576 22⅝"	626 24"		726 28½"	726 28½"	726 28½"	726 28⅝"

INSIDE DIMENSIONS (mm/in)

Height A	475 18½"	600 23¾"		850 33½"	1025 40¾"	1325 52"	1325 52¼"
Width B	350 13¾"	400 15¾"		550 21½"	550 21½"	550 21½"	850 33½"
Depth C	300 11⅝"	350 13¾"		450 17¾"	450 17¾"	450 17¾"	450 17¾"

OVERALL SIZES—DOOR OPEN (mm/in)

N	978 38½"	1078 42⅝"		1328 52¼"	1328 52¼"	1328 52¼"	1188 44¾"
P	876.5 34½"	976.5 38⅝"		1276.5 50¼"	1276.5 50¼"	1276.5 50¼"	1823 71¾"
Q	873.5 34¾"	972 38¼"		1266.6 49¾"	1266.6 49¾"	1266.6 49¾"	1813 71¾"

FOR SWING (mm/in)

K	570 22¼"	620 24⅝"		720 28¾"	720 28¾"	720 28¾"	720 28¾"
M	408 16⅝"	458 18"		608 23⅝"	608 23⅝"	608 23⅝"	468 18⅝"

CAPACITY & WEIGHT

Approx. Cap. in Litre Cu. Ft.	50 1.8	84 3.0		210 7.4	254 9.0	328 11.6	507 17.9
Nett. Wt. in Kg. in Lbs.	400 880	550 1210		805 1774	990 2178	1130 2486	1490 3278
Gross Wt. in Kg. in Lbs.	445 979	610 1342		905 1995	1065 2343	1230 2706	1690 3718

LACKA SAFE

(201) 896•9200 (800) 654•5213

LackaSafe.com